

# KFC-6983

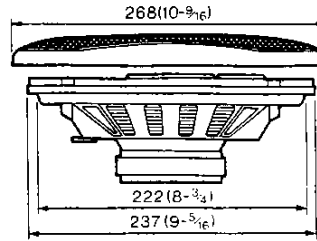
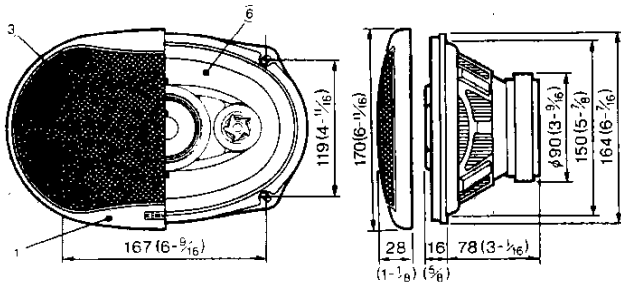
## SERVICE MANUAL

# KENWOOD

# Q.C.

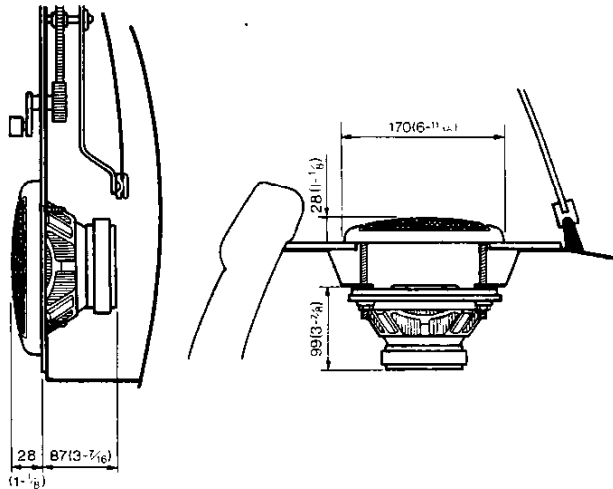
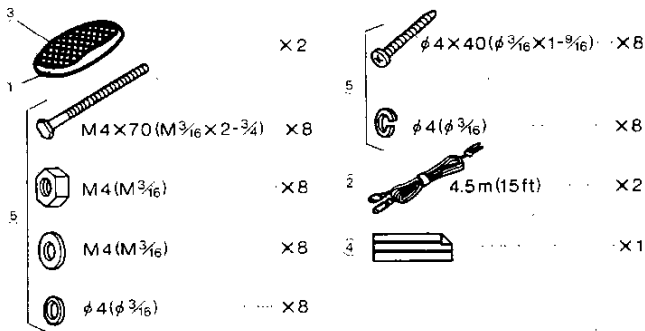
©1991-11 PRINTED IN JAPAN  
B51-6395-00 (MC) 1517

### EXTERNAL VIEW



unit: mm (inch)

### PARTS INCLUDED



### SPECIFICATIONS

#### Speakers

Woofer	153 x 229mm (6 x 9in)	Resin-Coated Cone Type	340g (12oz)	Magnet
Mid-Range	φ 70mm (2-3/4in)	Water Resistant Cone Type		
Tweeter	φ 25mm (1in)	Dome Type		
Peak Power	150Watts			
Frequency Response	30 ~ 2,600Hz			
Sensitivity	92dB/W at 1m			
Impedance	4Ohms			
Weight Per Speaker with Grille	3,120g (6.9lb)	Pair		

We follow a policy of advancements in development.  
For this reason specifications may be changed without notice.

### PARTS LIST

#### \* New parts

Parts without Parts No. are not supplied.  
Les articles non mentionnés dans le Parts No. ne sont pas fournis.  
Teile ohne Parts No. werden nicht geliefert.

Ref. No.	New Parts	Parts No.	Description
①	*	B 06-0699-08	GILLE ASSY
②	*	E 30-5117-08	CORD SET
③	*	F 09-1038-08	PFOTECTOR
④	*	J 69-0103-08	VISCOUS TAPE
⑤	*	N 99-1220-08	SCREW SET
⑥	*	T 15-0207-08	SPEAKER